

PARTS LIST

[SX-LC3WD]

Area suffix

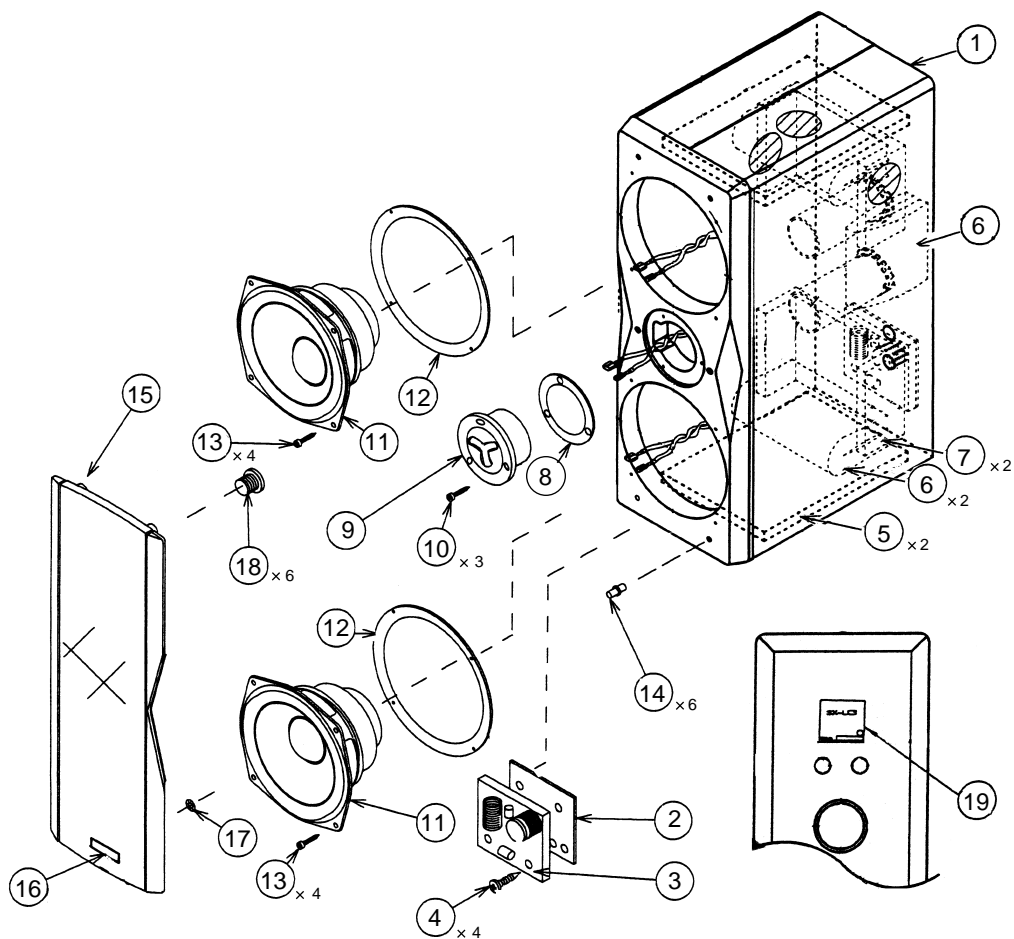
E ----- Continental Europe
U ----- Other Areas

- Contents -

Exploded view of general assembly and parts list	3- 2
Speaker box and parts list	3- 3
Net walk assembly and parts list	3- 4
Packing materials and accessories parts list	3- 5

Exploded view of general assembly and parts list

BLOCK No. **M1MM**



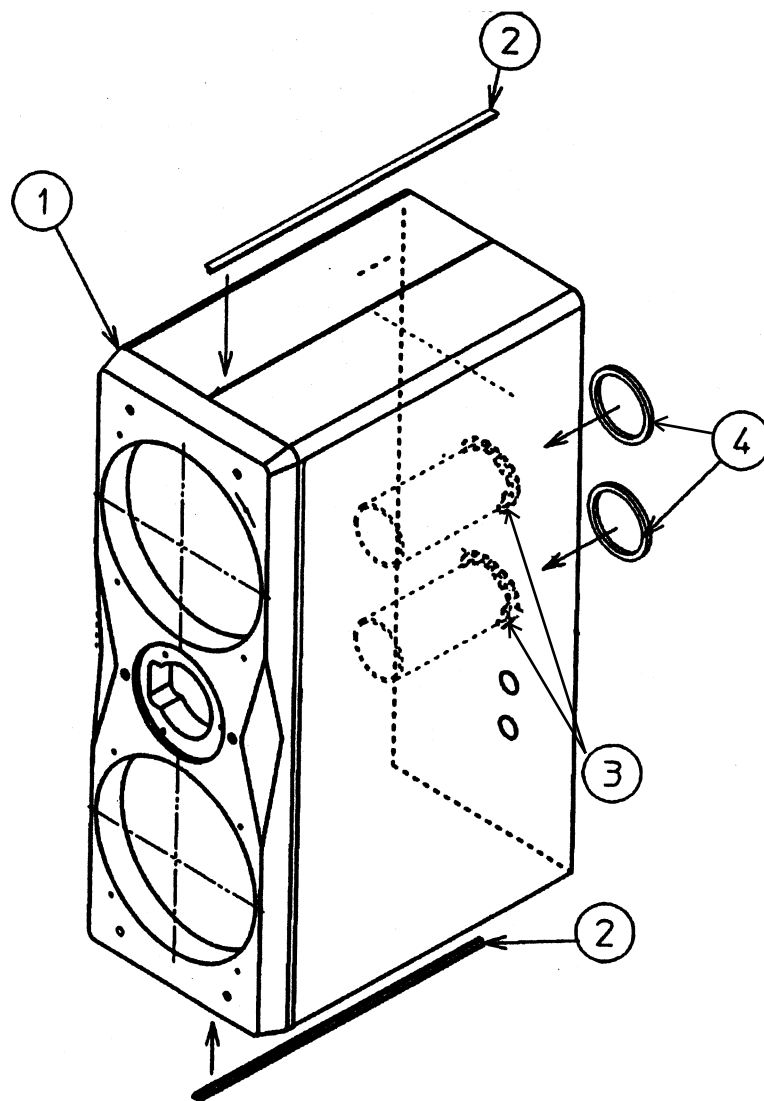
Parts list (General assembly)

Block No. M1MM

Item	Parts number	Parts name	Q'ty	Description	Area
1	AA14000201	SPEAKER BOX ASSY	1		
2	2810003901	SPACER	1		
3	-----	NETWORK ASSY	1		
4	7001542001	SCREW	4		
5	5400009121	SOUND ABSORBENT	2		
6	5400003241	SOUND ABSORBENT	3		
7	5400003291	SOUND ABSORBENT	2		
8	2810003301	SPACER	1		
9	LE10003-006A	SPEAKER	1		
10	7001142503	SCREW	3		
11	KK140001-02	SPEAKER	2		
12	2810003401	SPACER	2		
13	7001142503	SCREW	8		
14	5800023721	LATCH	6		
15	9900023911	NET ASSY	1		
16	LE40141-001A	JVC MARK	1		
17	7100330003	PUSH NUT	1		
18	5800023721	HOLDER	6		
19	6000179031	RATING LABEL	1		E
	6000179051	RATING LABEL	1		U

Speaker box and parts list

BLOCK No. M2MM



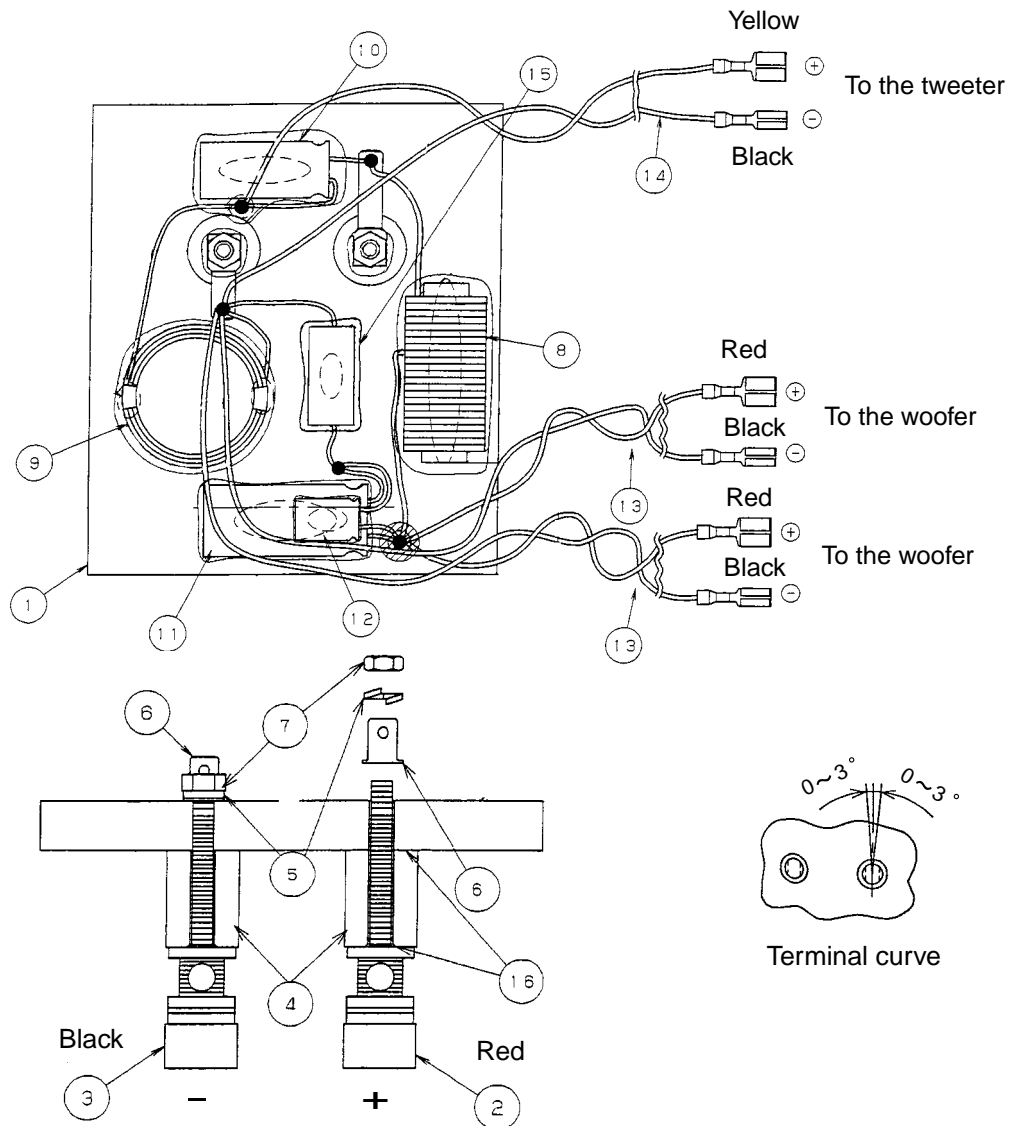
■ Parts list (Speaker box)

Block No. M2MM

△	Item	Parts number	Parts name	Q'ty	Description	Area
	1	-----	BOX ASSY	1		
	2	-----	FITTING	2		
	3	-----	DUCT	2		
	4	-----	FELT RING	2		

Net work assembly and parts list

BLOCK No. **M3MM**



■ **Parts list (Network)**

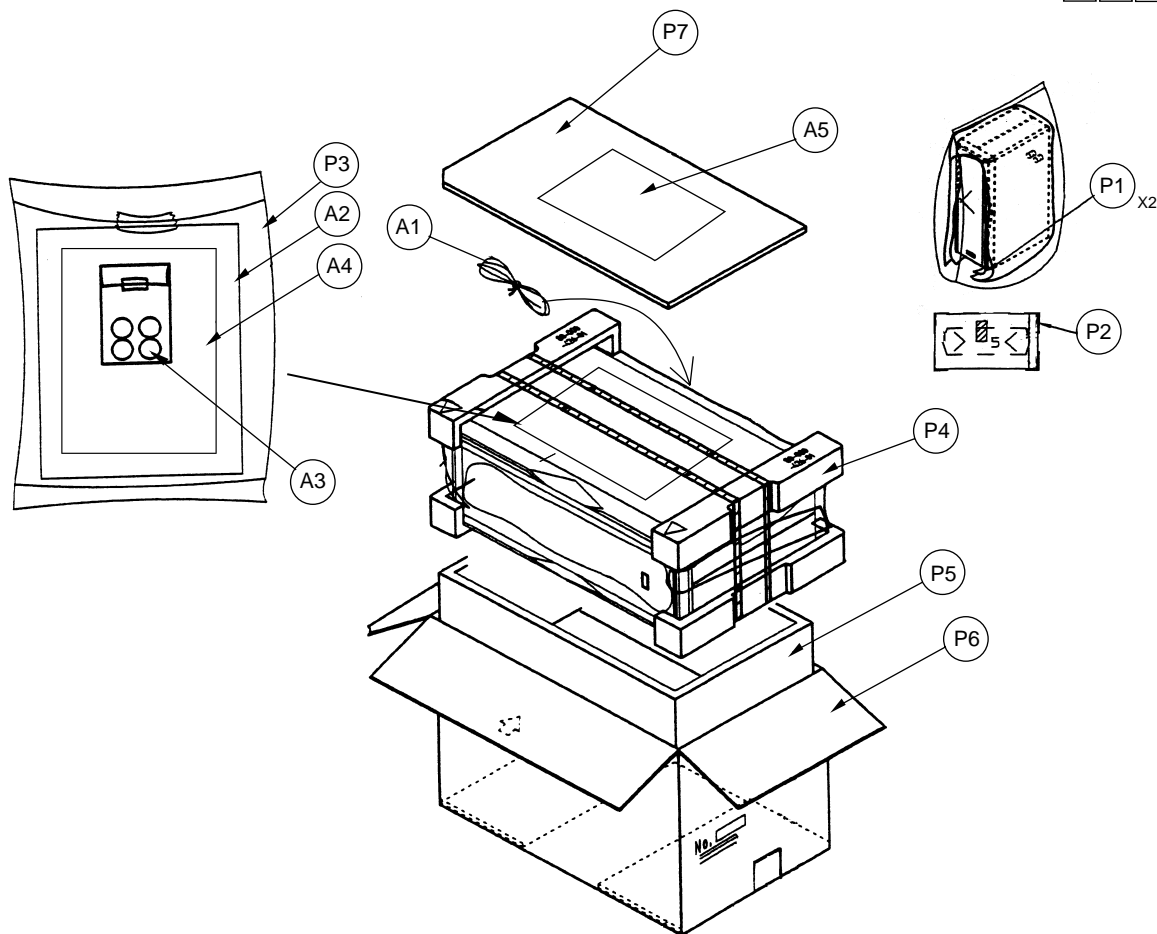
Block No. **M3MM**

△	Item	Parts number	Parts name	Q'ty	Description	Area
	1	-----	MOUNTING BOARD	1		
	2	CL-B254R	KNOB(RED)	1		
	3	CL-B254B	KNOB(BLACK)	1		
	4	E408952-001	N.W.SPACER	2		
	5	QYWLP417610N	L.WASHER	2		
	6	LUG5	TERMINAL	2		
	7	NUT2	HEXAGON NUT	2		
	8	QQN02CK-681	COIL	1	L1 0.68MH	
	9	LV41274-001A	COIL	1	L2 0.33MH	
	10	-----	E CAPACITOR	1	C1 2.2UF 50V	
	11	-----	E CAPACITOR	1	C2 3.3UF 50V	
	12	-----	E CAPACITOR	1	C3 1.5UF 50V	
	13	LV42083-002A	WIRE ASSY	2		
	14	LV42083-001A	WIRE ASSY	1		
	15	-----	C RESISTOR	1	R1 1.8 5W	

Packing materials and accessories parts list

BLOCK No. **M4MM**

BLOCK No. **M5MM**



Parts list (Packing)

Block No. **M4MM**

△	Item	Parts number	Parts name	Q'ty	Description	Area
	P 1	8500039801	MIRROR MAT	2		
	P 2	8500037721	POLY BAG	1		
	P 3	8500028931	POLY BAG	1		
	P 4	8000044701	CUSHION	1		
	P 5	8100096501	PARTITION	1		
	P 6	8300041171	INDVI.CARTON	1		U
		8300041151	INDVI.CARTON	1		E
	P 7	8100100101	PAD	1		

Parts list (Accessories)

Block No. **M5MM**

△	Item	Parts number	Parts name	Q'ty	Description	Area
	A 1	6200034711	SPEAKER CORD	1		
	A 2	8700089601	INSTRUCTION	1	ENG,GER,FRE,DUT	
		8700089601	INSTRUCTION	1	SPA,ITA,SWE,FIN	
		8700089601	INSTRUCTION	1	DAN,CHI	
	A 3	8600005111	FOOT ASSY	1		
	A 4	8700091721	CAUTION	1		
	A 5	8700091711	CAUTION	1		